

# STANDARD CAMERA

## MSC-512S3F

### 600TVL/TDN/SSDR/DNR CCTV CAMERA



#### - FEATURES -

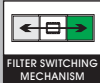
- 1/3" SONY High-Resolution Super HAD II CCD
- 600TV Lines Horizontal resolution (B/W : 700TV Lines)
- Excellent low light sensitivity of 0.001Lux/F1.2
- Sens-up : x512 (0.0003Lux/F1.2)
- True Day & Night(ICR)
- SSDR : Digital super dynamic range (x128)
- 2D+3D DNR : Digital super noise reduction
- HLC : High-light compensation
- DIS : Digital image stabilizer
- x16 Digital zoom
- Motion detection : 8 Zone
- Privacy : 12 Zone
- RS-485 Communication (Pelco-D/P)
- OSD Menu Control by Push Button
- Strong Compatibility with Various Lens Type

\* MSC-524S3F : DC 12V / AC 24V

\* MSC-523S3F : AC 230V



1/3 SONY  
SUPER HAD II CCD



FILTER SWITCHING  
MECHANISM



DAY & NIGHT



SSDR  
DIGITAL SUPER  
DYNAMIC RANGE



2D/3D  
DNR  
DIGITAL NOISE  
REDUCTION



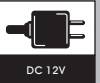
SENS-UP  
SENS-UP  
SENS-UP  
SENS-UP  
0.0003 Lux



HLC  
HIGH-LIGHT  
COMPENSATION

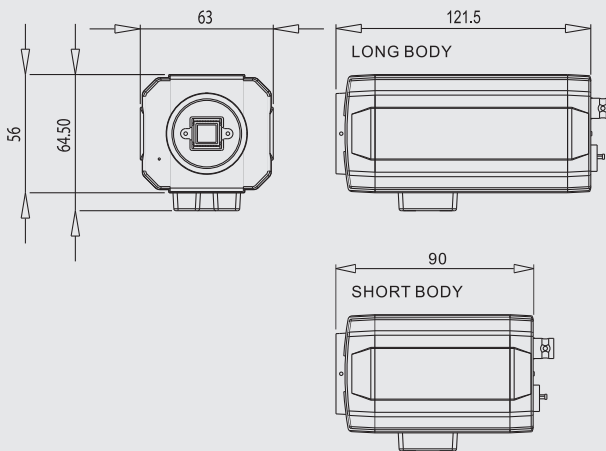


DIS  
DIGITAL  
IMAGE STABILIZER

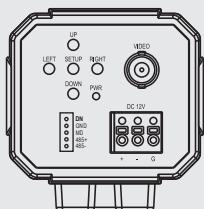


DC 12V

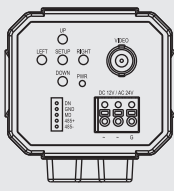
#### - DIMENSION -



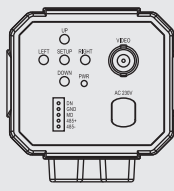
#### - REAR VIEW -



DC12V



DC12V / AC24V



AC230V

#### - SPECIFICATIONS -

MSC-512S3F		
Signal Format	NTSC	PAL
Horizontal Resolution	Color : 600TV Lines, B/W : 700TV Lines	
Image Sensor	1/3" SONY High-Resolution Super HAD II CCD	
Total Pixels	811(H) x 508(V)	795(H) x 596(V)
Effective Pixels	768(H) x 494(V)	752(H) x 582(V)
Scanning System	2:1 Interlace	
Synchronization	Internal	
Scanning Frequency	15.734 KHz(H), 59.94 Hz(V)	15.625 KHz(H), 50.00 Hz(V)
Video Output	CVBS : 1.0Vp-p/75Ω	
Min. Illumination	Color : 0.15Lux/F1.2, Sens-up : 0.0003Lux/F1.2, B/W : 0.001Lux	
Electronic Shutter Speed	1/60 ~ 1/120,000 sec	1/50 ~ 1/120,000 sec
Iris Control	DC / Manual	
Signal to Noise Ratio	52dB (AGC Off, Weight : On)	
Backlight Compensation	BLC / HLC / OFF	
White Balance	ATW / OUTDOOR / INDOOR / MANUAL / AWC (1,700°K ~ 11,000°K)	
Gain Control	LOW / HIGH / OFF	
2D + 3D DNR	ON / OFF (Level Adjustable)	
Day & Night	COLOR / BW(ICR) / AUTO	
Sens-up	AUTO / OFF (x2 ~ x512)	
SSDR	ON / OFF (Level Adjustable)	
Digital Image Stabilizer	ON / OFF	
Digital Zoom	ON / OFF (x1 ~ x16)	
Motion Detection	ON / OFF (8 Zone)	
Privacy	ON / OFF (12 Zone)	
Flip / Mirror	ON / OFF	
Sharpness	ON / OFF (Level Adjustable)	
Camera Title	ON / OFF (Displayed 15 Characters)	
Communication	RS-485 (Protocol : Pelco D, Pelco P)	
OSD	Built-in (Kor, Jap, Tai, Eng, Fre, Spa, Por, Ger, Ita, Chi, Rus, Cze, Pol, Rom, Ser, Swe, Dan, Tur)	
Input Voltage	DC 12V (±10%)	
Power Consumption	Max. 2.0W	
Operating Temp/Hum	Temperature : -10°C ~ +50°C / Humidity : 30% ~ 80% RH	
Storage Temp/Hum	Temperature : -10°C ~ +50°C / Humidity : 30% ~ 80% RH	
Dimension	63.0(W) x 64.5(H) x 121.5(D)mm	
Weight	Approx. 310g	