

IR LED CAMERA

SEC-S30QS

IP66/30 IR LED COLOR CAMERA



IP66



- FEATURES -

- 1/3" SONY High-Resolution Super HAD CCD
- 550TV Lines Horizontal Resolution
- Excellent Low Light Sensitivity of 0.3Lux/F1.2, 0Lux (LED On) (50IRE, AGC HIGH, DNR HIGH) 0.002Lux (Sens-up x128)
- 30pcs IR LED for night vision
- True Day & Night : Filter Switching Mechanism Built-in
- Auto Day & Night On
- DNR function : Digital Noise Reduction
- OSD Built-in
- Visibility Range : 25~30m
- ICR : Built-in ICR Lens f=2.8~11.0mm
- IP66
- Adjustable Lens without opening case
- Concealed Bracket (Cable Built in the bracket)



1/3 SONY SUPER HAD CCD



COLOR



FILTER SWITCHING MECHANISM



DAY & NIGHT



2.8-11.0mm VARI-FOCAL LENS



30pcs IR LED



DNR DIGITAL NOISE REDUCTION



SENS-UP SENS-UP 0.002 Lux

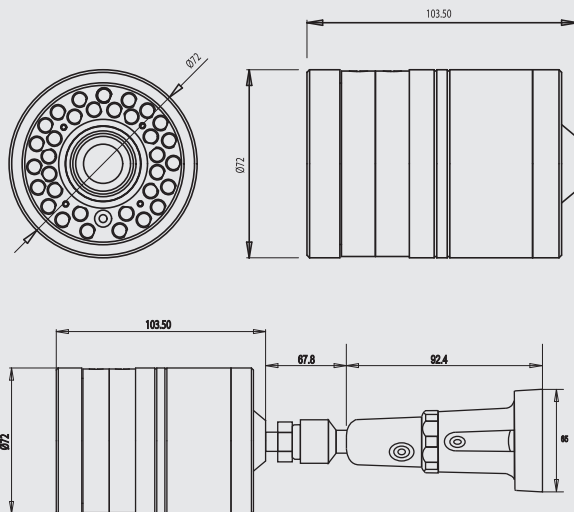


IP 66



DC 12V

- DIMENSION -



- CABLE LOCATED IN THE BRACKET -



- SPECIFICATIONS -

SEC-S30QS		
Signal Format	NTSC	PAL
Horizontal Resolution	550TV Lines, 600TV Lines (B/W)	
Image Sensor	1/3" SONY High-Resolution Super HAD CCD	
Scanning System	525 lines interlaced	625 lines interlaced
Synchronization	Internal	
Video Output	CVBS : 1.0Vp-p/75Ω	
Min. Illumination	Color : 0.3 Lux/F1.2, Sens-up mode : 0.002 Lux/F1.2 0.000Lux (LED On)	
Signal to Noise Ratio	50 dB or more (AGC Off)	
Gamma	0.45	
AGC	On	
Input Voltage	DC 12V (±10%)	
Power Consumption	LED Off : Max. 2.4W, LED On : Max. 6.0W	
Operating Temperature	-10°C to +55°C	
Storage Temperature	-20°C to +70°C	
Operating Humidity	Under 90% Non-condensing	
Storage Humidity	Under 90% Non-condensing	
Lens	ICR DC Varifocal Lens : f=2.8~11.0mm	
Dimension	72(Φ) x 103.50(W)mm	
Weight	Approx. 750g	