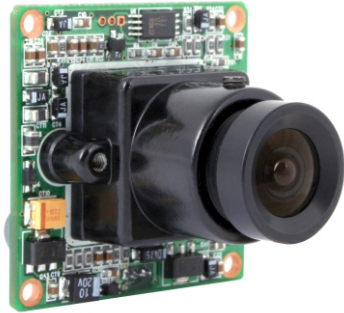


TCC-3632

MODULE CAMERA

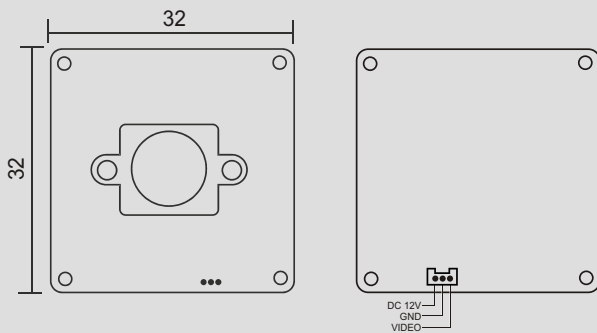


- FEATURES -

- 1/3" A1PROs Color IT-CCD
- 32mm x 32mm Size One Board Camera
- 380TV Lines Horizontal Resolution
- Min. Illumination : 0.3Lux/F1.2
- Auto White Balance
- Auto Gain Control



- DIMENSION -



- SPECIFICATIONS -

TCC-3632		
Signal Format	NTSC	PAL
Horizontal Resolution	380TV Lines	
Image Sensor	1/3" A1PROs Color IT-CCD	
Effective Pixels	510(H) x 492(V)	500(H) x 582(V)
Scanning System	2:1 Interlace	
Synchronization	Internal	
Scanning Frequency	15.734 Khz(H), 59.94 Hz(V)	15.625 Khz(H), 50.00 Hz(V)
Video Output	CVBS : 1.0Vp-p/75Ω	
Min. Illumination	0.3Lux/F1.2	
Electronic shutter	1/60 ~ 1/100,000 sec	1/50 ~ 1/100,000 sec
IRIS Control	MANUAL	
Signal to Noise Ratio	48dB or more (AGC Off)	
White Balance	AUTO	
Gain Control	AUTO	
Gamma	0.45	
Input Voltage	DC 12V (±10%)	
Power Consumption	Max. 1.2W	
Operating Temp/Hum	-10°C to +60°C / Under 85% Non-condensing	
Storage Temp/Hum	-20°C to +70°C / Under 90% Non-condensing	
Dimension	32(H) x 32(V) x 1.0(T) mm	
Weight	Approx. 15g (with Lens)	