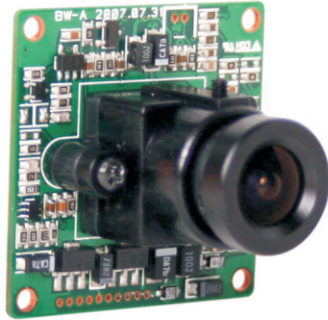


TCM-3232H, TCM-3232HX

32x32 SIZE MODULE CAMERA

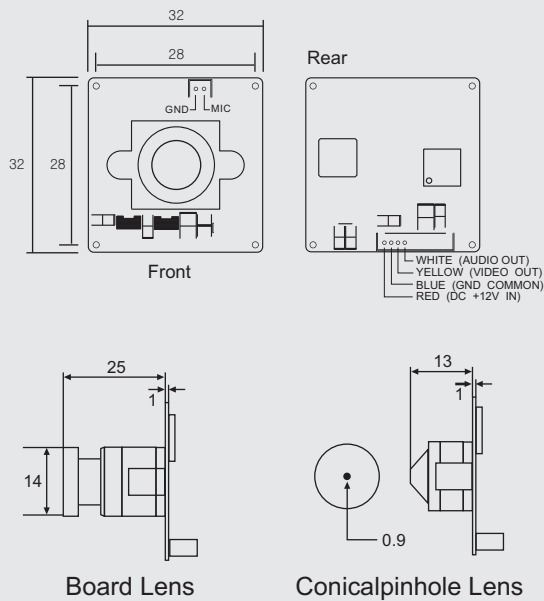


- FEATURES -

- TCM-3232H : 1/3" SONY DSP Super HAD B/W CCD
TCM-3232HX : 1/3" SONY DSP EX-View B/W CCD
- 600TV Lines Horizontal Resolution
- 32x32mm Size One Board Camera
- Min. Illumination :
TCM-3232H : 0.02Lux/F1.2
TCM-3232HX : 0.0003Lux/F1.2



- DIMENSION -



- SPECIFICATION -

TCM-3232H / TCM-3232HX		
Signal Format	EIA	CCIR
Horizontal Resolution	600TV Lines	
Image Sensor	TCM-3232H : 1/3" SONY DSP Super HAD B/W CCD TCM-3232HX : 1/3" SONY DSP EX-View B/W CCD	
Scanning System	525 lines interlaced	625 lines interlaced
Synchronization	Internal	
Video Output	CVBS : 1.0Vp-p/75Ω	
Min. Illumination	TCM-3232H : 0.02Lux/F1.2 TCM-3232HX : 0.0003Lux/F1.2	
Signal to Noise Ratio	45dB or more (AGC Off)	
Gamma	0.45	
Gain Control	AUTO	
Input Voltage	DC 12V (±10%)	
Power Consumption	Max. 1.8W	
Operating Temperature	-10°C to +55°C	
Operating Humidity	Under 85% Non-condensing	
Lens	Board Lens, Pinhole Lens	
Dimension	32(W) x 32(H)mm	
Option	Audio	