

## DOME CAMERA

# TDC-32321HD1

## COLOR DOME CAMERA



### - FEATURES -

- 1/3" SONY Super HAD CCD
- 480TV Lines Horizontal Resolution
- Color 0.5Lux/2.0
- Auto White Balance
- Auto Gain Control
- Mirror Function : External switch available
- Audio Amplifier and microphone (Optional)
- Low Heat Emission - 90mA
- Board Lens 3.6mm
- Dome size :  $\Phi 100$



1/3 SONY DSP  
Super HAD CCD



COLOR



BOARD LENS

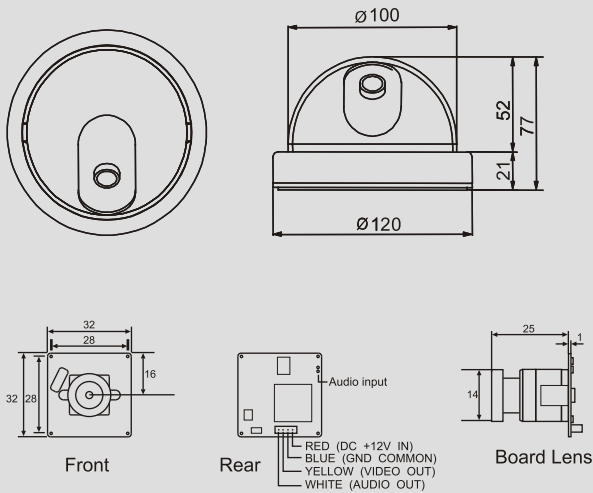


Auto / IRIS



DC 12V

### - DIMENSION -



### - SPECIFICATION -

TDC-32321HD1		
Signal Format	NTSC	PAL
Horizontal Resolution	480 TV Lines	
Image Sensor	1/3" SONY Super HAD CCD	
Scanning System	525 lines interlaced	625 lines interlaced
Synchronization	Internal	
Video Output	Standard composite 1Vp-p composite video into 75 $\Omega$	
Min. Illumination	0.5Lux/F2.0	
Electronic Shutter	1/60 ~ 1/100,000 sec Auto	1/50 ~ 1/100,000 sec Auto
Signal to Noise Ratio	45dB or more (AGC Off)	
Gamma	0.45	
AGC	On	
Input Voltage	DC 12V ( $\pm 10\%$ ), 1.1W or less	
Lens	Board Lens 2.1 / 2.5 / 2.9 / 3.7 / 4.3 / 6.0 / 8.0 / 12.0 / 16.0mm	
Operating Temperature	-10°C to +55°C	
Storage Temperature	-20°C to +70°C	
Operating Humidity	Under 90% Non-condensing	
Storage Humidity	Under 90% Non-condensing	
Dimension	120( $\Phi$ )mm x 77(H)mm	
Option	Audio	