

## DOME CAMERA

# TDC-612SD5, TDC-612FD5

## 690TVL/MINI VANDAL DOME CAMERA



**TDC-612SD5**  
Surface Mount Type



**TDC-612FD5**  
Flush Mount Type

### - FEATURES -

- 1/3" PIXIM High Sensitivity Digital Sensor
- 690TV Lines Horizontal Resolution (B/W : 700TV Lines)
- Excellent Low Light Sensitivity of 0.1Lux/F1.2 (B/W : 0.01Lux)
- Sens-up : x2~x32
- Digital Day & Night
- Powerful WDR : Wide Dynamic Range
- DNR : Digital Noise Reduction
- Digital Zoom (x8)
- Privacy Masking Zones (16 Zones)
- Motion Detection (4 Zones)
- Board Lens f=3.6mm
- Vandal Proof Dome Type
- IP66 Weatherproof Type
- Compact Design



1/3 PIXIM  
DIGITAL SENSOR



DAY & NIGHT



WDR  
WIDE DYNAMIC  
RANGE



DNR  
DIGITAL NOISE  
REDUCTION



SENS-UP  
x2 ~ x32



BOARD LENS



IP 66

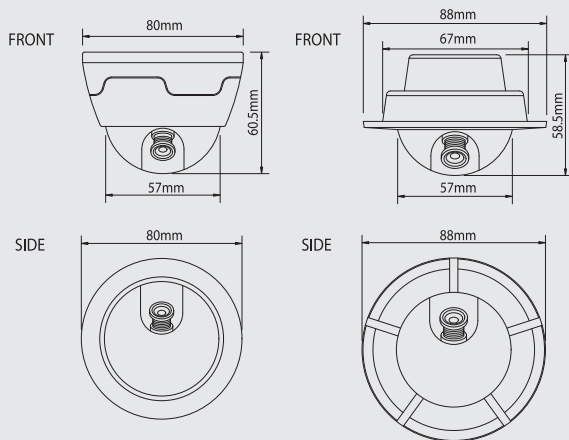


VANDAL PROOF

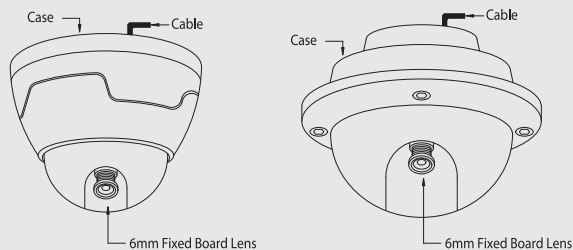


DC 12V

### - DIMENSION -



### - CONNECTION -



### - SPECIFICATIONS -

TSC-612SD5 / TDC-612FD5	
Video IO Select	NTSC / PAL
Horizontal Resolution	Color : 690TV Lines, B/W : 700TV Lines
Image Sensor	1/3" PIXIM High Sensitivity Digital Sensor
Effective Pixels	758(H) x 540(V)
Scanning System	2:1 Interlace
Synchronization	Internal
Scanning Frequency	15.734 KHz(H), 59.944 Hz(V)
Video Output	CVBS : 1.0Vp_p / 75Ω
Min. Illumination	Color : 0.1Lux, B/W : 0.01Lux
Electronic Shutter	up to 1/30,720 sec
Iris Control	DC
Sens-up	Auto / Off (Selectable x2 ~ x32)
Signal to Noise Ratio	More than 50dB
White Balance	Auto / AWB / Indoor / Outdoor / Manual
Gain Control	Low / Auto / High / Off
DNR	Auto / High / Low
Day & Night	Auto / Color / B/W / EXT.
Digital WDR	120dB(Max), 102db(Typical)
Motion Detection	ON / OFF (4 Zone)
Privacy	ON / OFF (16 Zone)
Camera ID	On / Off
Communication	RS-485
OSD	Built-in
Lens	Board Lens f=3.6mm (Lens Option : 4.0 / 6.0 / 8.0 / 12.0mm)
Input Voltage	DC 12V (±10)
Power Consumption	Max. 2.0W
Operating Temp.	-10°C ~ +50°C
Storage Humidity	30% ~ 90% RH
Dimension	TDC-612SD5 : 80.0(Ø)x60.5(H)mm / TDC-612FD5 : 88.0(Ø)x58.5(H)mm
Weight	TDC-612SD5 : Approx. 255g / TDC-612FD5 : Approx. 190g