

# TEC-236H

## IP67 36PCS IR LED COLOR CAMERA



### IP 67



#### - FEATURES -

- 1/3" SONY High-Resolution Super HAD CCD
- 480TV Lines Horizontal Resolution
- 36pcs IR-LED for night vision (Day & Night)
- IP 67 Weatherproof
- Visibility Range : 15~20m
- Board Lens : 3.6mm/F2.0



1/3 SONY DSP SUPER HAD CCD



COLOR



3.6mm BOARD LENS



36pcs IR LED



DAY & NIGHT

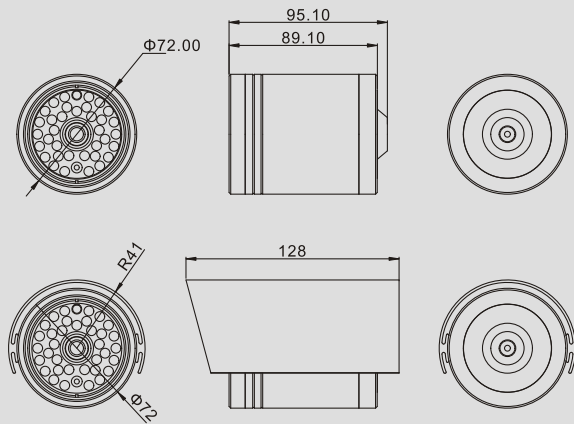


IP-67



DC12V

#### - DIMENSION -



#### - SPECIFICATION -

TEC-236H		
Signal Format	NTSC	PAL
Horizontal Resolution	480TV Lines	
Image Sensor	1/3" SONY High-Resolution Super HAD CCD	
Scanning System	525 lines interlaced	625 lines interlaced
Synchronization	Internal	
Video Output	CVBS : 1.0Vp-p/75Ω	
Min. Illumination	Day : 0.3Lux, Night : 0.00Lux (IR LED On)	
Signal to Noise Ratio	45dB or more (AGC Off)	
Gamma	0.45	
AGC	On	
Input Voltage	DC 12V (±10%)	
Power Consumption	IR LED OFF : Max 1.3W or less IR LED ON : Max 5.2W or less	
Operating Temperature	-10°C to +55°C	
Storage Temperature	-20°C to +70°C	
Operating Humidity	Under 90% Non-condensing	
Storage Humidity	Under 90% Non-condensing	
Lens	Board Lens : 3.6mm/F2.0	
Option Lens	Board Lens : 6.0mm, 8.0mm	
Dimension	72(Φ) x 95.1(D)mm	
Weight	328g	