

# IR LED CAMERA

## TEC-288Q

### IP67 88PCS IR LED COLOR CAMERA



## IP 67



#### - FEATURES -

- 1/3" SONY DSP Super HAD High-Resolution CCD
- 550TV Lines Horizontal Resolution
- 88pcs IR-LED for night vision (Day & Night)
- IP 67 Weatherproof
- Visibility Range : 40~50m
- Board Lens : 3.6mm/F2.0



1/3 SONY DSP  
SUPER HAD CCD



COLOR



3.6mm  
BOARD LENS



88pcs IR LED



DAY & NIGHT

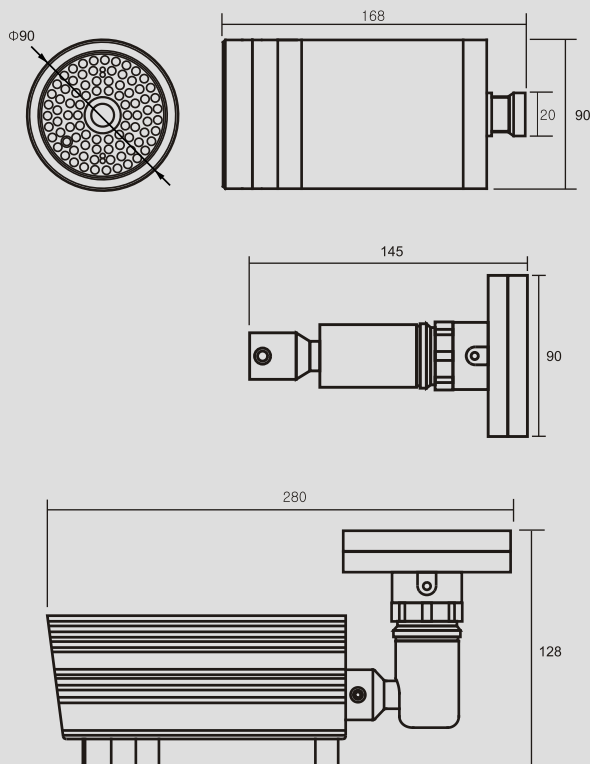


IP-67



DC12V

#### - DIMENSION -



#### - SPECIFICATIONS -

| TEC-288Q              |  |                      |
|-----------------------|--|----------------------|
| Signal Format         | NTSC   | PAL                  |
| Horizontal Resolution | 550TV Lines  |                      |
| Image Sensor          | 1/3" SONY DSP Super HAD High-Resolution CCD                    |                      |
| Scanning System       | 525 lines interlaced   | 625 lines interlaced |
| Synchronization       | Internal   |                      |
| Video Output          | CVBS : 1.0Vp-p/75Ω   |                      |
| Min. Illumination     | Day : 0.3Lux, Night : 0.00Lux (IR LED On)                      |                      |
| Signal to Noise Ratio | 45dB or more (AGC Off)   |                      |
| Gamma                 | 0.45   |                      |
| AGC                   | On   |                      |
| Input Voltage         | DC 12V (±10%)  |                      |
| Power Consumption     | IR LED OFF : Max 2.0W or less<br>IR LED ON : Max 10.0W or less |                      |
| Operating Temperature | -10°C to +55°C   |                      |
| Storage Temperature   | -20°C to +70°C   |                      |
| Operating Humidity    | Under 90% Non-condensing                                       |                      |
| Storage Humidity      | Under 90% Non-condensing                                       |                      |
| Lens                  | Board Lens : 3.6mm/F2.0  |                      |
| Option Lens           | Board Lens : 6.0mm, 8.0mm                                      |                      |
| Dimension             | 90(Φ) x 168(W)mm   |                      |
| Weight                | Approx. 1.3Kg  |                      |