

IR LED CAMERA

TEC-S30L/DV28

IP66/30 IR LED CAMERA



IP66



- FEATURES -

- 1/3" SONY Super HAD CCD
- 420TV Lines Horizontal Resolution
- Excellent low light sensitivity of 0.3Lux/F1.2 (LED On : 0Lux)
- 30pcs IR LED for night vision
- Visibility Range : 25~30m
- True Day & Night (ICR)
- DC Varifocal ICR Lens f=2.8~11.0mm
- IP66 Weatherproof type
- Cable location in the bracket
- Adjustable lens without opening case
- Focus, Zoom



1/3 SONY Super HAD CCD



FILTER SWITCHING MECHANISM



DAY & NIGHT



FLICKERLESS



30 IR LED



2.8-11.0mm VARIFOCAL LENS

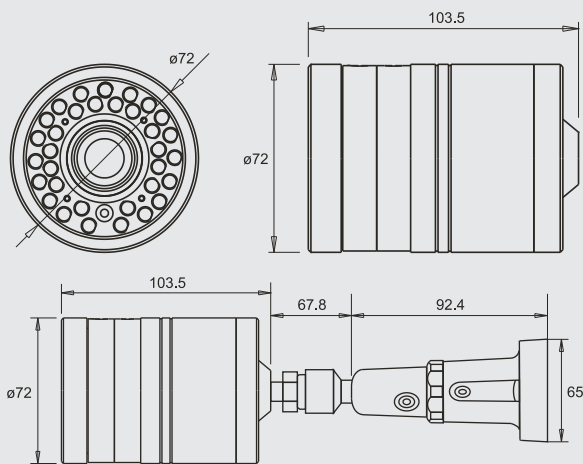


IP 66



DC 12V

- DIMENSION -



- CABLE LOCATED IN THE BRACKET -



- SPECIFICATIONS -

TEC-S30L/DV28		
Signal Format	NTSC	PAL
Horizontal Resolution	420TV Lines	
Image Sensor	1/3" SONY Super HAD CCD	
Effective Pixels	510(H) x 492(V)	500(H) x 582(V)
Scanning System	2:1 Interlace	
Synchronization	Internal	
Scanning Frequency	15.734 KHz(H), 59.94 Hz(V)	15.625 KHz(H), 50.00 Hz(V)
Video Output	CVBS : 1.0Vp-p/75Ω	
Min. Illumination	Color : 0.3Lux/F1.2, B/W : 0.01Lux/F1.2	
Electronic Shutter	FLK / FIXED / MANUAL / AUTO (1/60 ~ 1/100,000 sec)	FLK / FIXED / MANUAL / AUTO (1/60 ~ 1/100,000 sec)
IRIS Control	DC / MANUAL	
Signal to Noise Ratio	50dB (AGC Off)	
Backlight Compensation	ON / OFF Selectable	
White Balance	ATW / AWB / FIXED / MANUAL	
Gain control	ON / OFF Selectable	
True Day & Night	COLOR / BLACK & WHITE / AUTO	
Gamma	Adjustable	
Flickerless	ON / OFF	
Motion Detection	ON / OFF	
Privacy	ON / OFF	
Mirror	ON / OFF	
Sharpness	ON / OFF (Level Adjustable)	
OSD	Built-in (Chinese, English, Japanese, Korean)	
Lens	DC Varifocal ICR Lens f=2.8-11.0mm	
LED Qty	30 pcs	
Input Voltage	DC 12V (±10%)	
Power Consumption	LED On : Max. 6.2W / LED Off : Max. 1.2W	
Operating Temp/Hum	Temperature : -10°C to +50°C / Humidity : 20% to 80% RH	
Storage Temp/Hum	Temperature : -20°C to +60°C / Humidity : 20% to 90% RH	
Dimension	72.0(ø) x 103.5(H)mm	
Weight	Approx. 750g	