

# VANDAL DOME CAMERA

## ZVC-427QS

### Ø80 MINI DOME CAMERA



#### - FEATURES -

- 1/3" SONY High-Resolution Super HAD CCD
- 560TV Lines Horizontal Resolution
- Excellent Low Light Sensitivity of 0.3Lux/F1.2
- Sens-up : x2 ~ x256 (0.0002Lux/F1.2)
- Day & Night
- Digital WDR
- 2D+3D DNR Function
- HSBLC : Highlight Suppress BLC
- Motion Detection (4 Zone)
- Privacy (8 Zone)
- x32 Digital Zoom
- OSD Built-in
- Board Lens f=3.6mm
- Ø80 Dome

#### Option

- Wall Mount Bracket : MBR-300WM



1/3" SONY  
SUPER HAD CCD



DAY & NIGHT



DIGITAL  
WDR  
DIGITAL WIDE  
DYNAMIC RANGE



2D+3D  
DNR  
2D+3D DIGITAL  
NOISE REDUCTION



SENS-UP  
SENS-UP  
SENS-UP  
0.0002 Lux



HSBLC  
HIGH-LIGHT  
SUPPRESS BLC



BOARD LENS

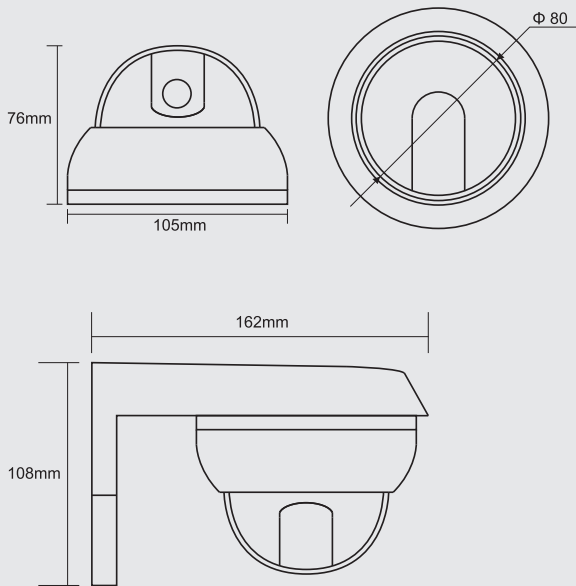


VANDAL PROOF



DC 12V

#### - DIMENSION -



#### - SPECIFICATIONS -

ZVC-427QS		
Signal Format	NTSC	PAL
Horizontal Resolution	560TV Lines	
Image Sensor	1/3" SONY High-Resolution Super HAD CCD	
Effective Pixels	768(H) x 494(V)	752(H) x 582(V)
Scanning System	2:1 Interlace	
Synchronization	Internal	
Scanning Frequency	15.734 KHz(H), 59.94 Hz(V)	15.625 KHz(H), 50.00 Hz(V)
Video Output	CVBS : 1.0Vp-p/75Ω	
Min. Illumination	0.3Lux/F1.2, Sens-up : 0.0002Lux/F1.2	
Electronic Shutter	1/60 ~ 1/100,000 sec	1/50 ~ 1/100,000 sec
IRIS Control	MANUAL	
Signal to Noise Ratio	50 dB (AGC Off, Weight On)	
Backlight Compensation	BLC / HSBLC / OFF	
White Balance	AWB / MANUAL / INDOOR / OUTDOOR / ATW (2,000°K ~ 20,000°K)	
Gain Control	LOW / MIDDLE / HIGH / OFF	
2D + 3D DNR	ON / OFF	
Day & Night	AUTO / COLOR / BW / EXT	
Sens-up	AUTO / OFF (Selectable x2 ~ x256)	
Digital WDR	INDOOR / OUTDOOR / OFF	
Digital Zoom	OFF / ON (x1.1 ~ x32, PAN, TILT)	
Gamma	Adjustable (0.05 ~ 1.00)	
Motion Detection	ON / OFF (4 Zone)	
Privacy	ON / OFF (8 Zone)	
Mirror	MIRROR / V-FLIP / ROTATE / OFF	
Freeze	ON / OFF	
Sharpness	ON / OFF (Level Adjustable)	
OSD	Built-in (English, Japanese, Korean)	
Lens	Board Lens f=3.6mm	
Input Voltage	DC 12V (±10%)	
Power Consumption	Max. 2.0W	
Operating Temp / Hum	Temperature : -10°C to +50°C / Humidity : 30% to 80% RH	
Storage Temp / Hum	Temperature : -20°C to +60°C / Humidity : 20% to 90% RH	
Dimension	105(Ø) x 76(H)mm	
Weight	Approx. 360g, W/Bracket : 720g	
Option	Wall Mount Bracket (MBR-300WM)	

#### - BRACKET -

